

# IMV VIBRATION TEST SYSTEMS

## J series

Air cooled Vibration Test Systems

# J230 / SA3AM J230 / EM3AM



Long duration shock tests require high velocity and large displacement. J-series is a high-frequency system that offers usability and durability furnished with functions that accommodates high velocity and displacement testing.

### [Expanded maximum test range]

Max. velocity of Sine force: 2.4 m/s, Max. velocity of Shock force 4.6 m/s, Max. displacement: 100 mmp-p

[Patented upper (armature) support system PS Guide] Parallel Slope Guide is standard.

[Low noise] Optimised design of the air intake based on fluid dynamics has reduced the air-intake noise.

[All models can be directly coupled to a climatic chamber.]



### ① High Velocity and Large Displacement

High velocity of 2.4 m/s and Large displacement of 100 mmp-p (4 inch).



■ PSG guide system

### ② Improvement of Testing Environment

With the operation of Intelligence Shaker Management (ISM), EM range can reduce power consumption and CO2 emissions automatically.

eco-shaker

### ② User first principle

Compatible with K2 vibration controller. Intuitive interface leads The operator with user-friendly guidance.





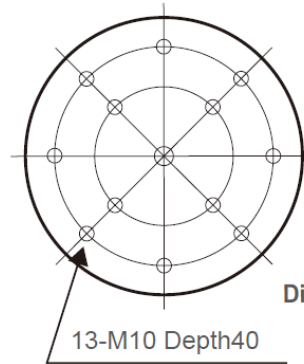
System Specifications		
System Model	J230/SA3AM	J230/EM3AM
Frequency Range (Hz)	0-3000	
Rated Force	Sine (kN)	16
	Random (kN rms) *1	16
	Shock (kN)	40
Maximum Acc.	Sine (m/s <sup>2</sup> )	941
	Random (m/s <sup>2</sup> rms)	658
	Shock (m/s <sup>2</sup> )	2000
Maximum Vel.	Sine (m/s)	2.4
	Shock (m/s peak)	2.4
Maximum Disp.	Sine (mmp-p)	100
	Maximum Travel (mmp-p)	120

Vibration Generator (J230)	
Armature Mass (kg)	17
Armature Diameter (φ mm)	200
Armature Resonance (Hz)	2200
Allowance Eccentric Moment (N·m)	700
Maximum Payload (kg)	300
Mass (kg)	1800

\*1) Random force ratings are specified in accordance with ISO5344 conditions.  
 \*2) Power supply: 3-phase 380/400/415/440 V, 50/60 Hz. A transformer is required for other supply voltages.  
 \*3) Maximum velocity 4.6 m/s. High velocity restricts maximum Shock force.  
 Please contact IMV or your local distributor with specific test requirements.  
 \* The specification shows the maximum system performance.  
 For long-duration tests, de-rating by up to 70 % must be applied.  
 Continuous use at maximum levels may cause failure.  
 \* In the case of Random vibration test, please set the test definition of the peak value of acceleration waveform to be operated less than the maximum acceleration of Shock.  
 \* Frequency range values vary according to sensor and vibration controller.

Cooling Blower		
Model	VAPC 630/P2R1	
Mass (kg)	150	
Environmental Data		
Power Requirement (kVA) *2	28	
Input Voltage Supply (3φ, V)	380/400/415/440	
Compressed Air Supply (Mpa)	0.6	
Working Ambient	Temperature (°C)	0 - 40
	Humidity (%RH)	0 - 85

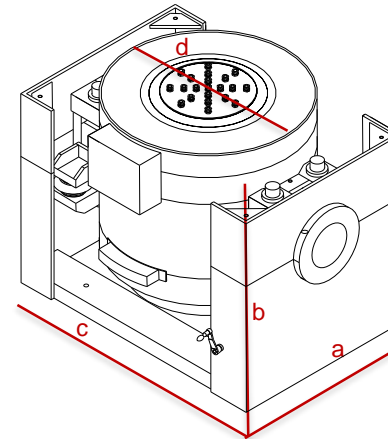
Power Amplifier		
System Model	SA3AM-J30	EM3AM-J30
Maximum Output [kVA]	20	20
Mass [kg]	330	380



13-M10 Depth40  
(P.C.D.100,160)

### J230

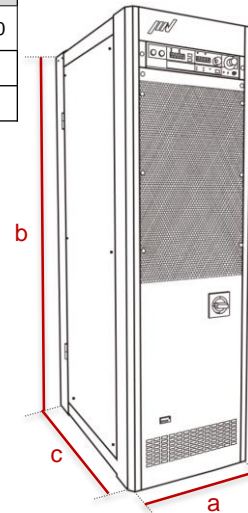
Diameter φ200  
unit: mm



### Shaker

Model: J230

- a: W 1124 mm
- b: H 1079 mm
- c: D 850 mm
- d: 630 φmm



### Amplifier

Model: SA3AM-J30  
Model: EM3AM-J30

- a: W 580 mm
- b: H 1950 mm
- c: D 850 mm



### Blower

Model: VAPC 630/P2R1

- a: W 1044 mm
- b: H 2285 mm
- c: D 704 mm