

IMV VIBRATION TEST SYSTEMS

m series

m

Low Acoustic Noise
Air Cooled Vibration Test Systems

m130LS / MA1-CE

m130LS is easy to operate and can be installed by yourself.
Test file will be automatically generated just on selection of the test condition defined by the test standard when you use "Launcher software".
When you use Non-Gaussian software you can precisely reproduces non-Gaussian vibration such as transportation vibration with large spikes.



1. Supports a wide range of tests despite its small size

Despite its small size, it is possible to test packages of Maximum 100 kg, 120 size class under various conditions defined by official standards such as ISO, JIS, ASTM, and Amazon transportation test standards. The amplitude is larger than the conventional m-series.



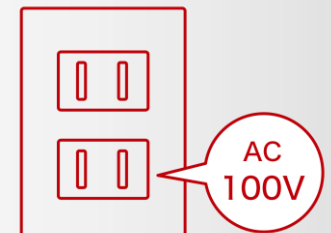
2. Realization of testing time reduction

With the launcher software, a test file is automatically generated just on selection of the test condition defined by the test standard. Similarly, in the case of specified test conditions, the test conditions can be saved and reproduced easily, and the test time can be shortened.



3. Can be installed anywhere

It is available in single-phase AC100 V.



IMV CORPORATION

Low Acoustic Noise Air Cooled Vibration Test Systems m130LS / MA1-CE



System Specifications (m130LS / MA1-CE)		
Frequency Range (Hz) *1		2-1000
Rated Force	Sine (N)	1300
	Random (N rms)	650
	Shock (N)	1300
Maximum Acc.	No Load (m/s ²)	130
	0.5 kg Load (m/s ²)	123
	1.0 kg Load (m/s ²)	118
Maximum Vel.	(m/s)	1.0
Maximum Disp.	(mmp-p)	51

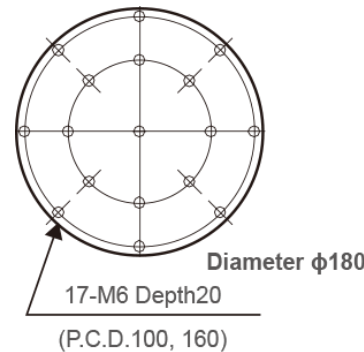
Vibration Generator (m130LS-CE)	
Armature Support Method	Air suspension
Armature Mass (kg)	10
Armature Diameter (φ mm)	180
Maximum Load (kg)	100
Mass (kg)	250

*1) Frequency range values vary according to sensor and vibration controller.

*2) Power supply: single-phase 100V or 200-240V, 50/60Hz. A transformer is required for other supply voltages.

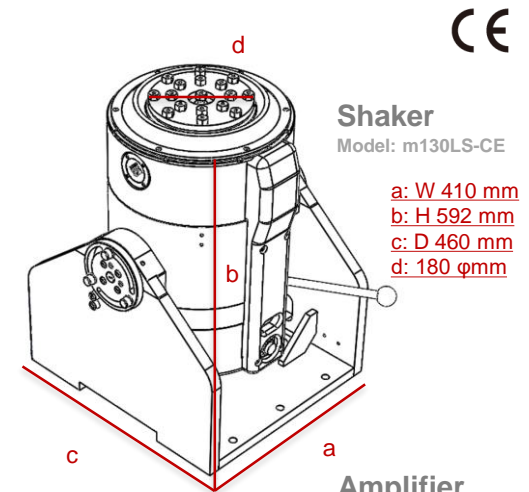
*3) Longer external cables are provided as an option.

Cooling		
Power Amplifier (MA1-CE)		
Max. Output (kVA)		1 *2
Mass (kg)		25
Cooling Method		Air cooling
External Cables (m)		3 *3
Environmental Data		
Power Requirement (kVA) *2		1.1
Input Voltage Supply (1 φ, V) *2		100V or 200-240V ±10% 50/60Hz
Working Ambient Condition	Temp. (°C)	0 - 24
	Humidity (%RH)	0 - 85



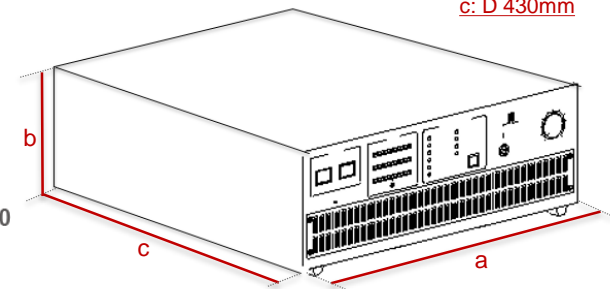
m130LS-CE

Table Insert Pattern unit: mm



Shaker
Model: m130LS-CE

a: W 410 mm
b: H 592 mm
c: D 460 mm
d: 180 φmm



Amplifier
Model: MA1-CE

a: W 430mm
b: H 149mm
c: D 430mm